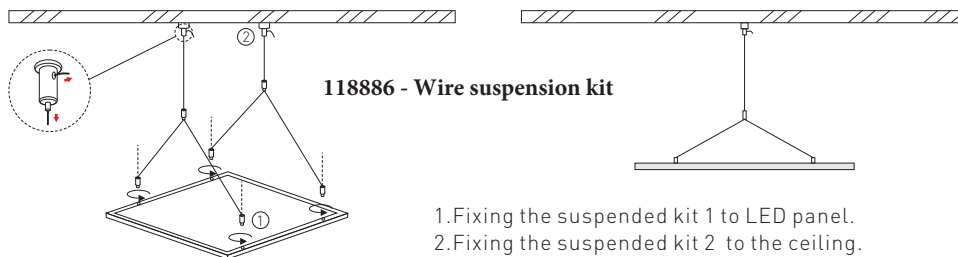


Ledge Recessed mounting instructions

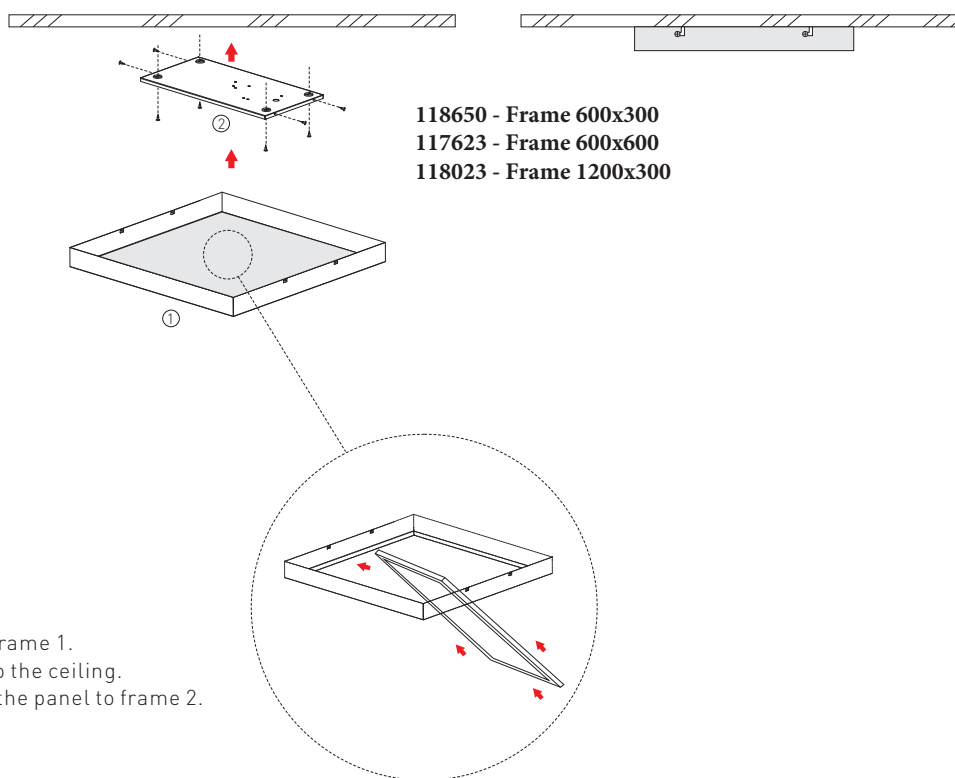
Suspended mounting
Nedhengt montasje
Pendlad montage



118886 - Wire suspension kit

1. Fixing the suspended kit 1 to LED panel.
2. Fixing the suspended kit 2 to the ceiling.
3. Fixing the panel to suspended kit 2, with help of stainless cable.

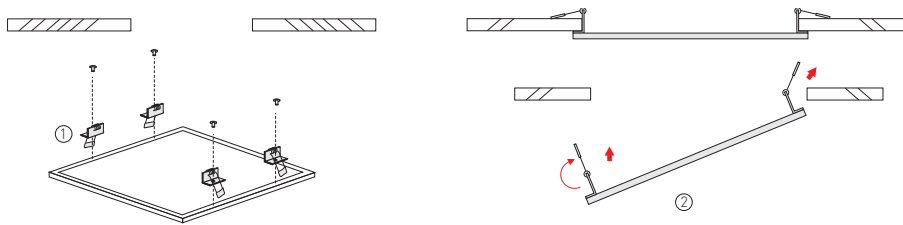
Surface mounting
Utenpåliggende montasje
Utanpåliggende montage



118650 - Frame 600x300
117623 - Frame 600x600
118023 - Frame 1200x300

1. Fixing the panel to frame 1.
2. Fixing the frame 2 to the ceiling.
3. Fixing frame 1 with the panel to frame 2.

Recessed mounting
Innfelt montasje
Infälld montage



Fitting	Cut-out
600x300	580x280mm
600x600	580x580mm
1200x300	1180x280mm

1. Fixing the spring to LED panel.
2. Fixing the panel to the ceiling, with help of spring.