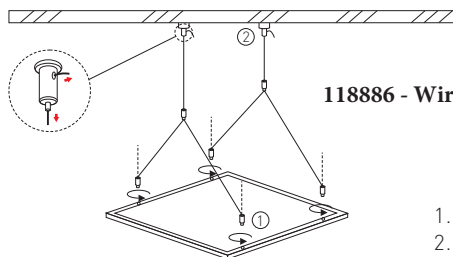
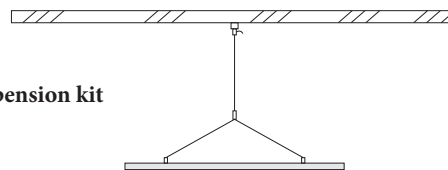


# Ledge Recessed mounting instructions

Suspended mounting  
Nedhengt montasje  
Pendlad montage

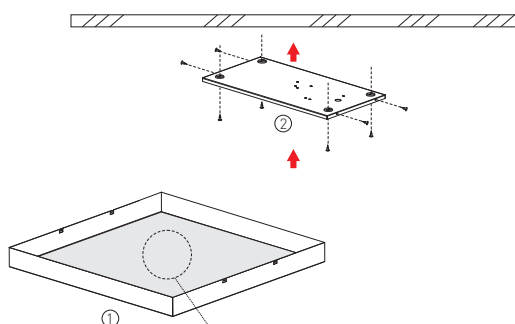


**118886 - Wire suspension kit**



1. Fixing the suspended kit 1 to LED panel.
2. Fixing the suspended kit 2 to the ceiling.
3. Fixing the panel to suspended kit 2, with help of stainless cable.

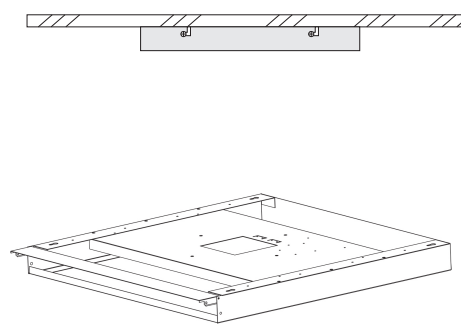
Surface mounting  
Utenpåliggende montasje  
Utanpåliggende montage



**118023 - Frame 1200x300**

**118650 - Frame 600x300**

1. Fixing the panel to frame 1.
2. Fixing the frame 2 to the ceiling.
3. Fixing frame 1 with the panel to frame 2.

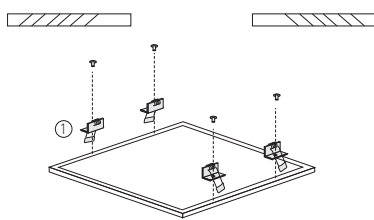


**121272 - Frame 600x600 w. hatch**

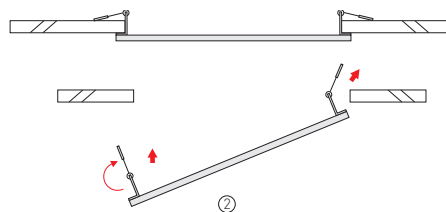
1. Fixing the frame 2 to the ceiling.
2. Fixing frame 1 to frame 2.
3. Push the panel into the frame through the open hatch
4. Lock the hatch

Recessed mounting  
Innfelt montasje  
Infälld montage

Fitting	Cut-out
600x300	580x280mm
600x600	580x580mm
1200x300	1180x280mm



**118885 - Monunting kit recessed**



1. Fixing the spring to LED panel.
2. Fixing the panel to the ceiling, with help of spring.