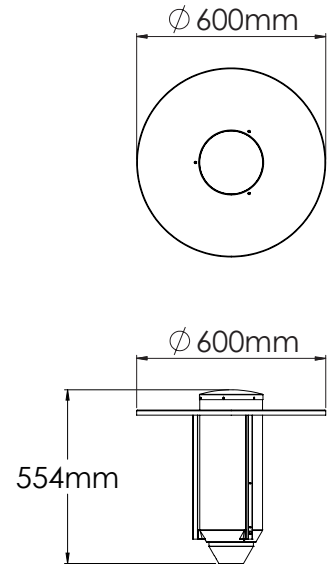


# Helena Park



Helena Park – decorative fitting in a Nordic design



## Description

Housing and base are made of die-cast aluminium and top cover in hot galvanized steel. The rods are of aluminium. Diffuser in UV- and vandal resistant polycarbonate. The fitting is delivered in grey, RAL 7035 as standard.. The reflector shield is made of aluminium, painted in white. The LED module is changeable and available as accessory for re-building of existing fittings.

## Application areas

Footpaths, entrances, parks, pedestrian streets, parking area etc...

## Mounting

The fitting is prepared for mounting on Ø60 pole top.

## Installation

Supplied with 4m 3x1,5mm<sup>2</sup> cable.

## Others

CLO - Constant Light Output as standard. Helena is also available as Bollard and wall fitting.

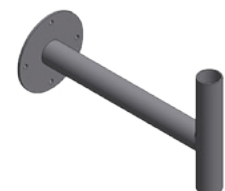
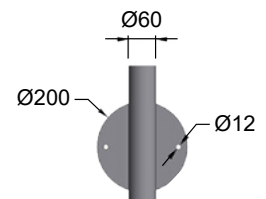
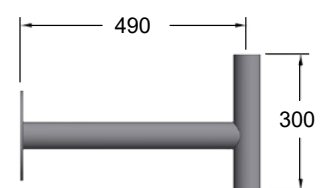
## Fittings (pcs) each circuit

	10-B	10-C	16-B	16-C
36W	23	37	36	58

## LED unit

Colour index Ra:	85
Colour tolerance MacAdam:	3 SDCM
Life time L70:	90 000 h
Ambient temperatur Ta:	25°C

Wall bracket



DEFA no.	Type	Diffuser	Light source	lm fitting	lm/W	Weight
115740	Helena Park	Clear	36W 4000K	2268	64	7,6 kg
115741	Helena Park	Opal	36W 4000K	3183	90	7,6 kg
115742	Helena Park	Clear	36W 3000K	2183	61	7,6 kg
115743	Helena Park	Opal	36W 3000K	3064	86	7,6 kg
Accessories:						
122706	Wall bracket	Galv				6,3 kg