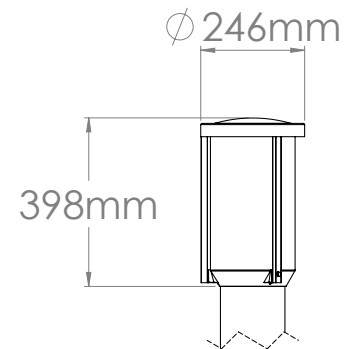


# Helena Bollard



Helena Bollard – decorative fitting in a Nordic design



## Description

Decorative park fitting for installation on a short pole. Helena bollard is a top fitting and requires an additional pole and mounting kit. The fitting is delivered in grey, RAL 7035 as standard. Housing and base is made of die-cast aluminium top cover in hot galvanized steel, rods of aluminium. Diffuser in UV- and vandal resistant polycarbonate. The reflector shield is made of aluminium, painted in white.

## Application areas

Footpaths, entrances, parks, parking area etc...

## Mounting

Foundation for base mounting or root mounting.

## Installation

Supplied with 1m 3x1,5mm<sup>2</sup> cable. Fuse block can be mounted through a hatchway on the pole.

## Others

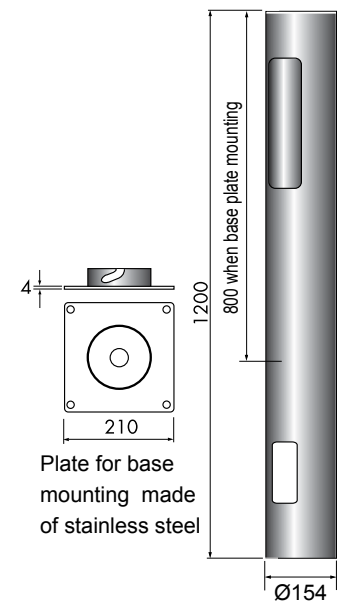
CLO - Constant Light Output as standard. Also available as Park fitting.

## Fittings (pcs) each circuit

	10-B	10-C	16-B	16-C
25W	23	37	36	58

## LED unit

Colour index Ra:	85
Colour tolerance MacAdam:	3 SDCM
Life time L70:	90 000 h
Ambient temperatur Ta:	25°C



DEFA no.	Type	Diffuser	Light source	lm fitting	lm/W	Weight
116050	Helena Bollard	Clear	1x25W 4000K	1570	63	6,2 kg
116051	Helena Bollard	Opal	1x25W 4000K	2092	83	6,2 kg
116052	Helena Bollard	Clear	1x25W 3000K	1523	61	6,2 kg
116053	Helena Bollard	Opal	1x25W 3000K	2030	81	6,2 kg
Accessories:						
115869	Bollard pole with hatch H 800mm f. park foundation					6,2 kg
117421	Bollard pole without hatch H 800mm f. park foundation					9,1 kg