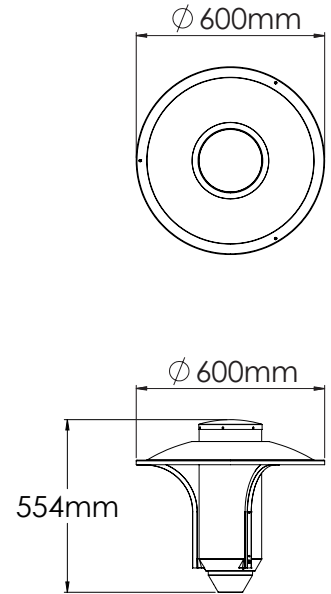


# Elsa Park



Elsa - elegant park fitting suitable for both city and park environment



## Description

Housing and base are made of die-cast aluminium and top cover in hot galvanized steel. The rods are of aluminium. Diffuser in UV- and vandal resistant polycarbonate. The fitting is delivered in grey, RAL 7035 as standard.. The reflector shield is made of aluminium, painted in white. The LED module is changeable and available as accessory for re-building of existing fittings.

## Application areas

Footpaths, entrances, parks, pedestrian streets, parking area etc...

## Mounting

The fitting is prepared for mounting on Ø60 pole top.

## Installation

Supplied with 4m 3x1,5mm<sup>2</sup> cable.

## Others

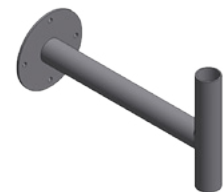
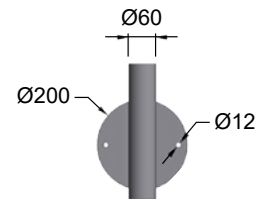
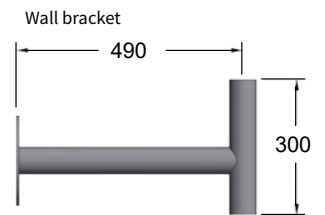
CLO - Constant Light Output as standard.  
Elsa is also available as wall fitting.

## Fittings (pcs) each circuit

	10-B	10-C	16-B	16-C
36W	23	37	36	58

## LED unit

Colour index Ra:	85
Colour tolerance MacAdam:	3 SDCM
Life time L70:	90 000 h
Ambient temperatur Ta:	25°C



DEFA no.	Type	Diffuser	Light source	lm fitting	lm/W	Weight
115744	Elsa Park	Clear	36W 4000K	2282	64	7,6 kg
115747	Elsa Park	Opal	36W 4000K	3022	85	7,6 kg
115749	Elsa Park	Clear	36W 3000K	2196	62	7,6 kg
115750	Elsa Park	Opal	36W 3000K	2909	82	7,6 kg
Accessories:						
122706	Wall bracket	Galv				6,3 kg