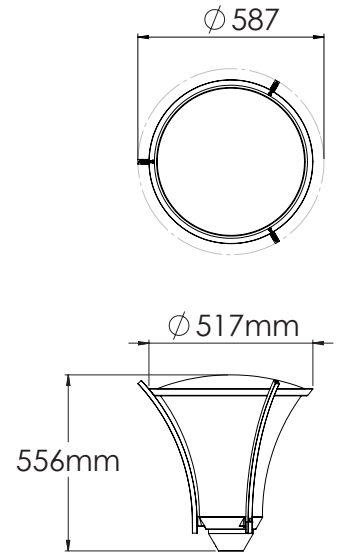


# Athene Park



## Description

Housing and base are made of die-cast aluminium and top cover in hot galvanized steel. The rods are of aluminium and the diffuser of clear or opal PMMA acrylic. The fitting is delivered in grey, RAL 7035 as standard.. The reflector shield is made of aluminium, painted in white. The LED module is changeable and available as accessory for re-building of existing fittings.

## Application areas

Footpaths, entrances, parks, pedestrian streets, parking area etc...

## Mounting

The fitting is prepared for mounting on Ø60 pole top.

## Installation

Supplied with 4m 3x1,5mm<sup>2</sup> cable.

## Others

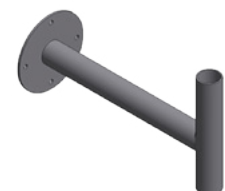
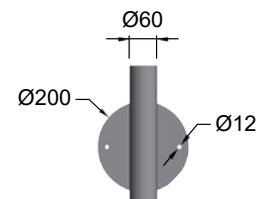
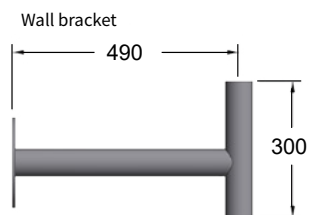
CLO - Constant Light Output as standard. Athene is also available as wall fitting.

## Fittings (pcs) each circuit

	10-B	10-C	16-B	16-C
36W	23	37	36	58

## LED unit

Colour index Ra:	85
Colour tolerance MacAdam:	3 SDCM
Life time L70:	90 000 h
Ambient temperatur Ta:	25°C



DEFA no.	Type	Diffuser	Light source	lm fitting	lm/W	Weight
115731	Athene Park	Clear	36W 4000K	2378	67	7,6 kg
115736	Athene Park	Opal	36W 4000K	3004	85	7,6 kg
115737	Athene Park	Clear	36W 3000K	2289	64	7,6 kg
115739	Athene Park	Opal	36W 3000K	2891	81	7,6 kg
Accessories:						
122706	Wall bracket	Galv				6,3 kg