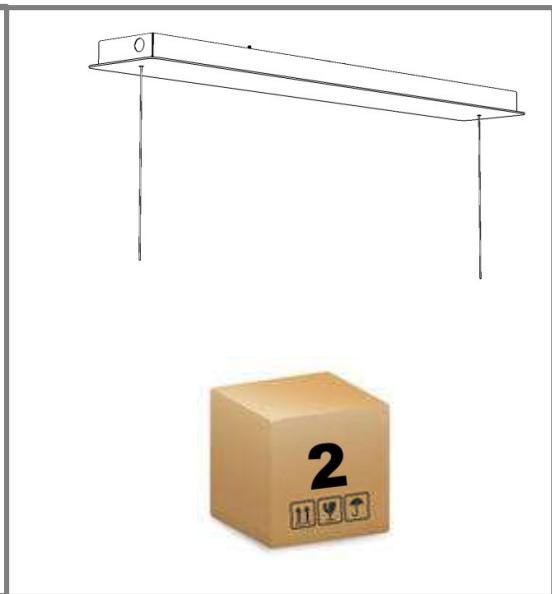
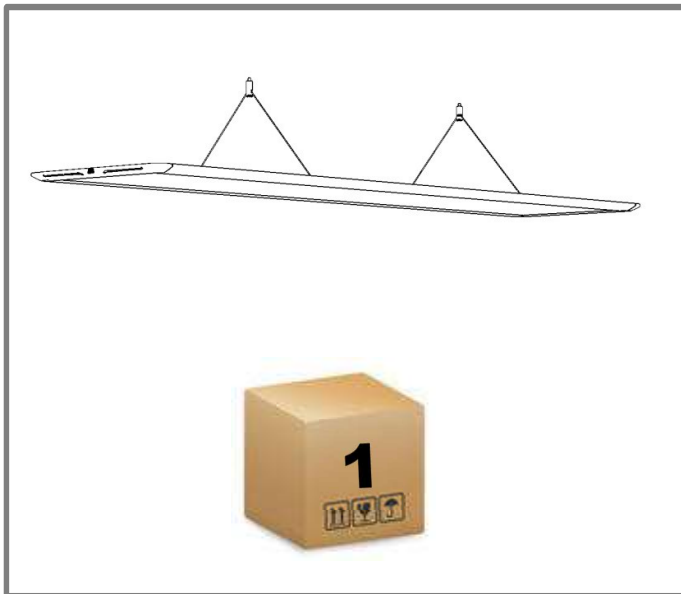


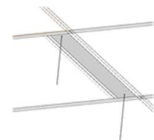
LEDGE

Controlmodule



Recessed-ceiling installation

Page 2

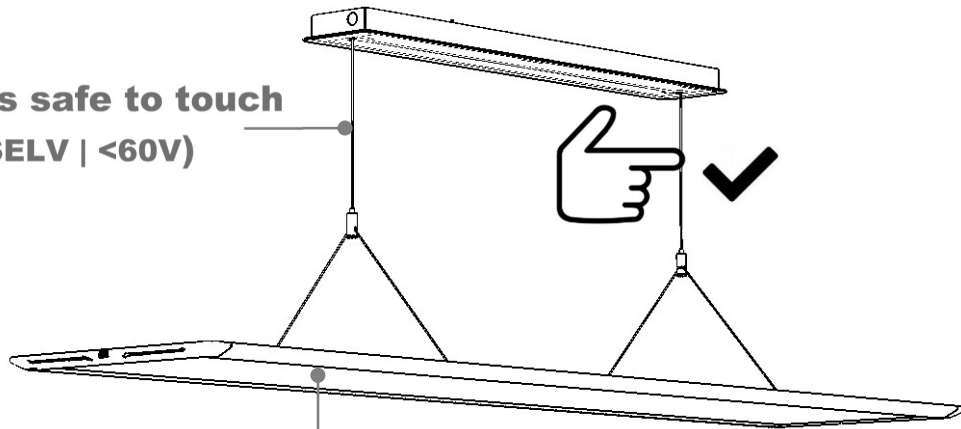


Surface-mounted installation

Page 3-4

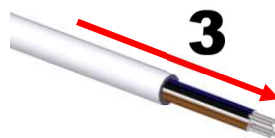
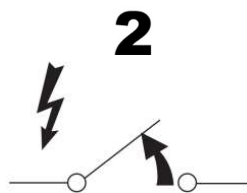
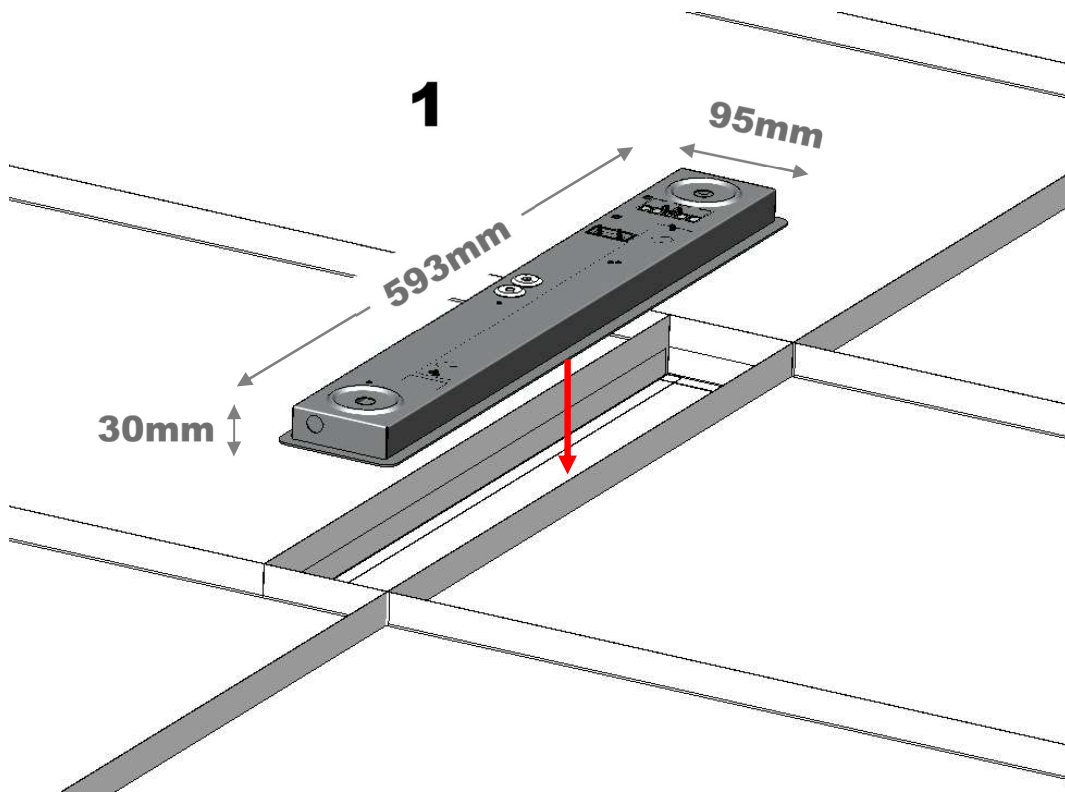
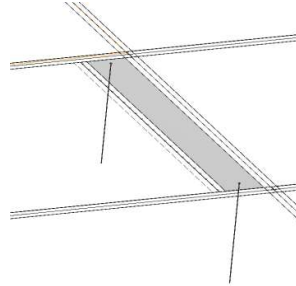


Always safe to touch
(SELV | <60V)



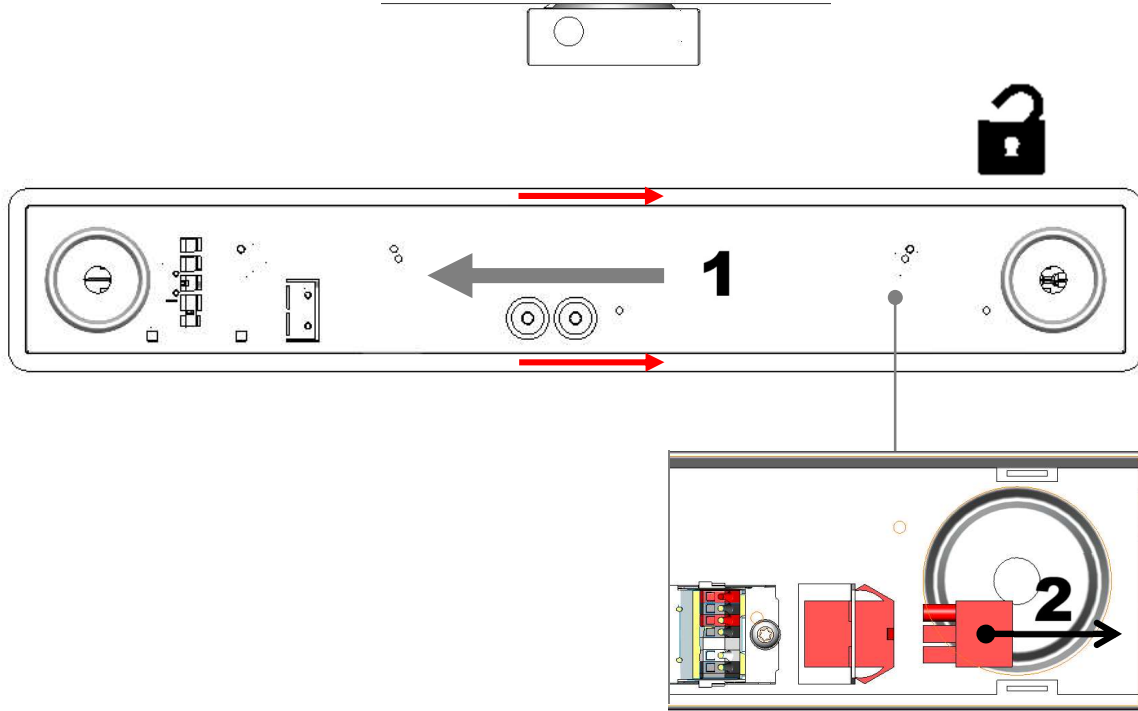
Sensitive surface (Scratch & fingerprints)

Recessed-mounted



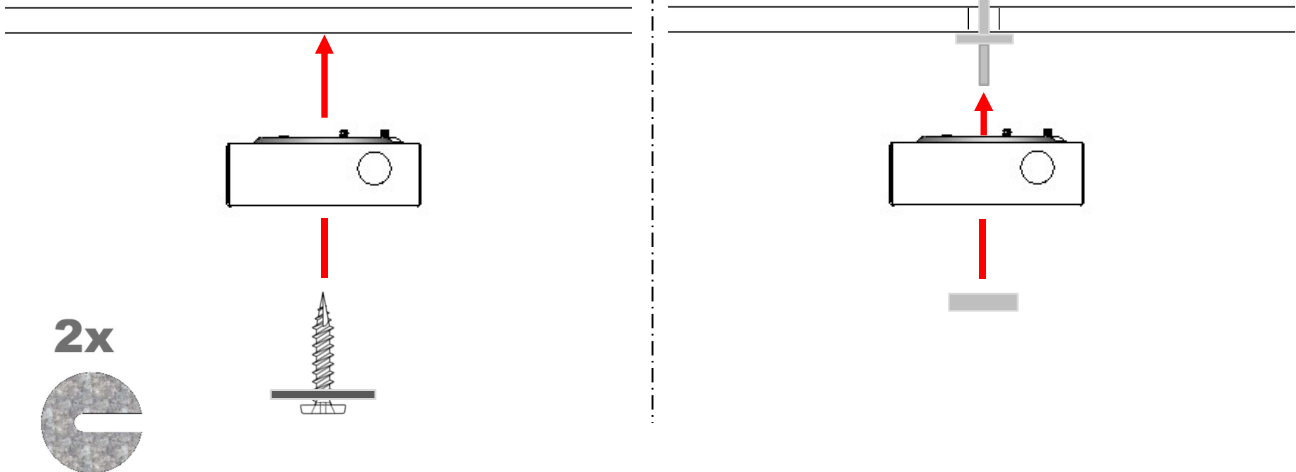
230V 50hz
(Page 7)

Surface-mounted

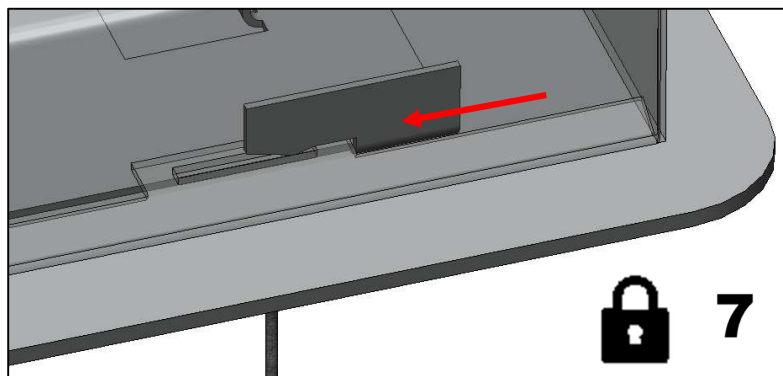
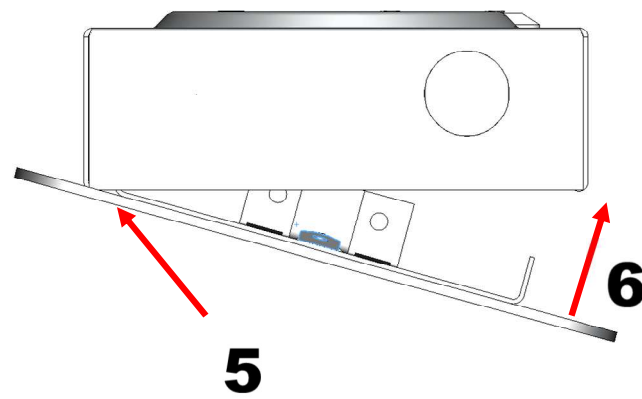
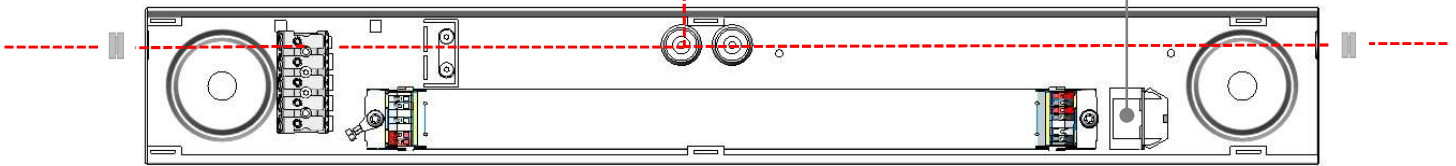
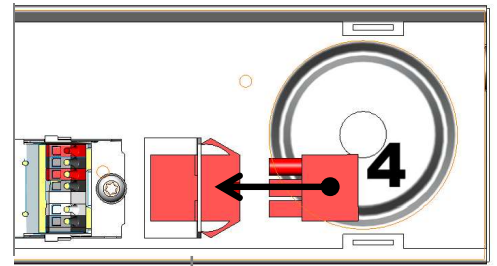
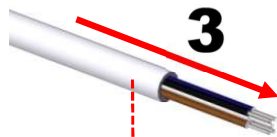
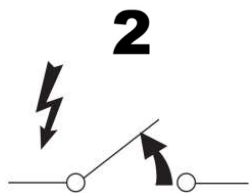


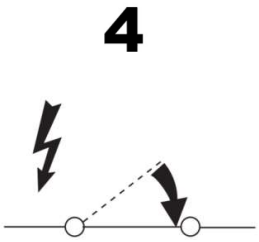
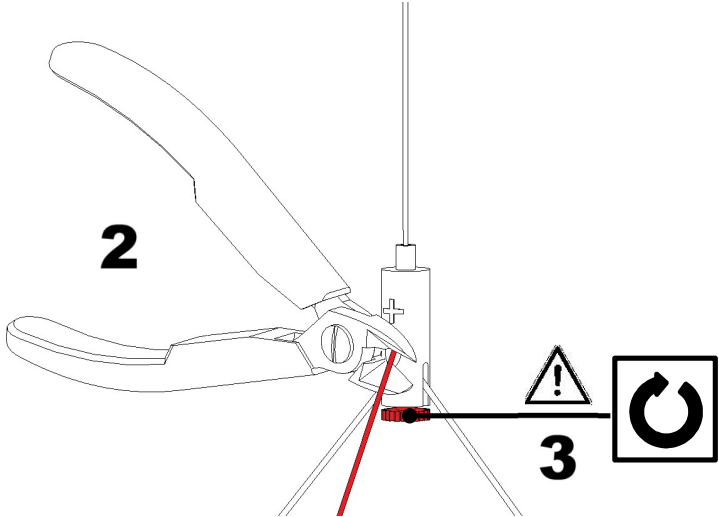
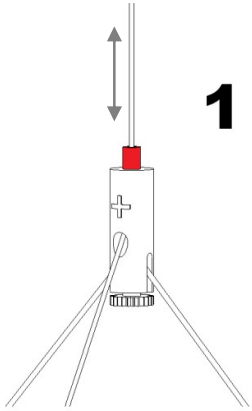
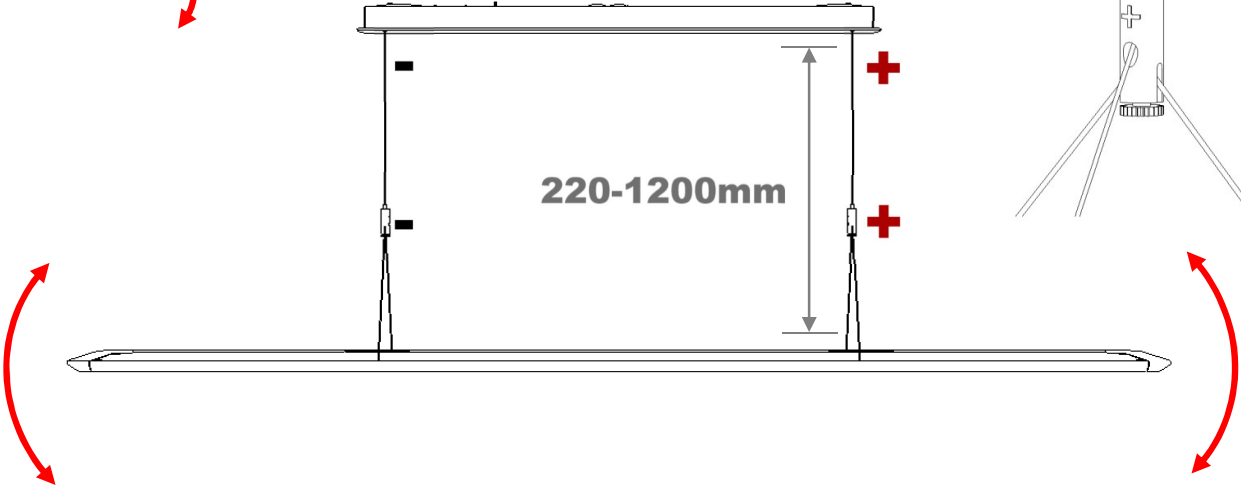
Flat ceiling

T-profile ceiling

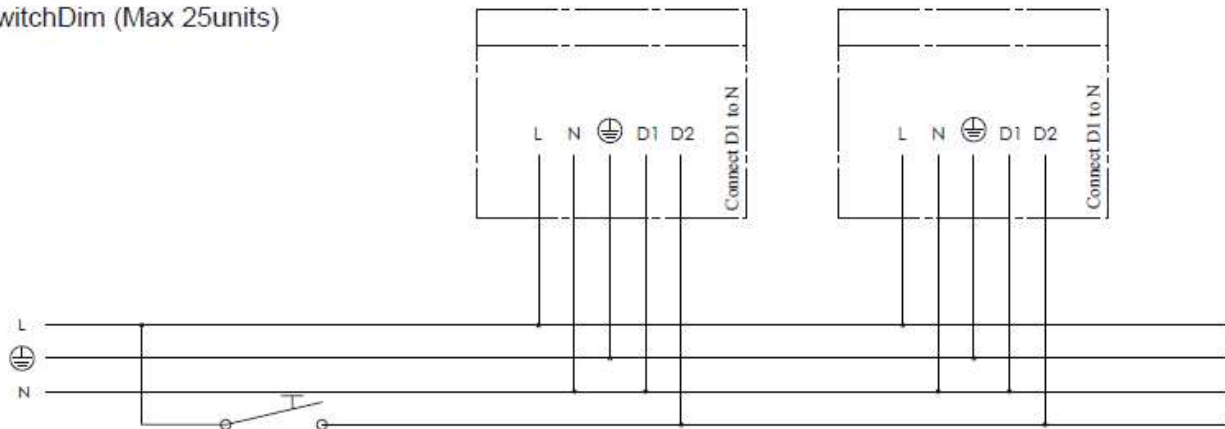


230V 50hz
(Page 7)

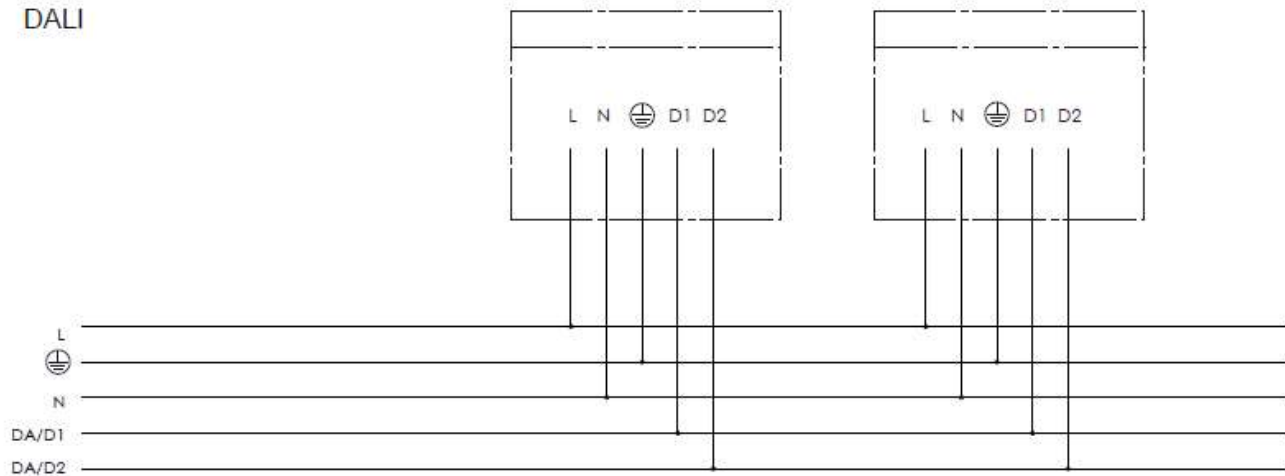




SwitchDim (Max 25units)



DALI



Controlmodule (DALI)
D1 = Grey Cable
D2 = Black Cable

