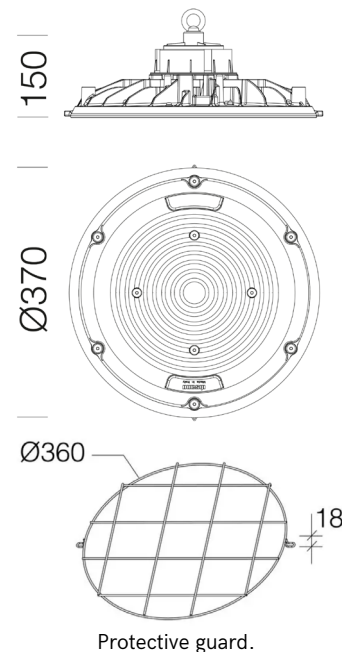


Saturno 2885 Power Switch



Saturno 2885 Power Switch - powerful luminaire in aluminium for higher ceiling heights

Description

Luminaire housing with integrated cooling, made of die-cast aluminium, powder coated in dark grey RAL 7021. Diffuser in polycarbonate, resistant to impacts and shocks. Integrated 4kV surge protection. IP66, Class I, IK08..

Application areas

Industrial premises, warehouses, department stores, exhibition halls, sports halls.

Installation

Saturno is delivered with a mounting eye.

Connection

Sealed cable gland connection, max. 2.5 mm² cable, for quick and easy connection without needing to open the luminaire.

Fittings (pcs) per circuit

	10-B	10-C	16-B	16-C
80-100-120 W	11	12	18	18
100-125-150W	9	9	15	15
110-150-200W	5	6	8	9

LED unit

Colour temperature	4000K
Colour index Ra	RA 80
Colour tolerance	MacAdam 3
Ta -80-100-120W	Ta -40° - +60°
Ta -100-125-150W	Ta -40° - +50°
Ta -110-150-200W	Ta -40° - +40°
Lifetime - Ta 25°C	L80B10 100.000t

On request:

- Red, blue, green diffuser
- 10 kV surge protection
- Motion- and light sensor
- Zhaga connector
- High ambient temperature version - HT
- Version with emergency lighting function - EM



Diffuser for UGR<22 opal or transparent.

DEFA no.	Type	Optic	Light source	lm fitting	lm/W	Control	Weight (kg)
129169	Saturno	Wide beam	80-100-120W	4000K	16150-19800-24480	204 PS	4,3
129170	Saturno	Wide beam	100-125-150W	4000K	19800-24300-28100	187 PS	4,3
129171	Saturno	Wide beam	110-150-200W	4000K	20255-28100-34470	172 PS	4,3

Accessories

128623	Diffuser	- 370 mm for Saturno UGR <22 Opal
128576	Diffuser	- 370 mm for Saturno UGR <22 Transparent
122503	Protective guard	Ø370

