



Power Cable LED



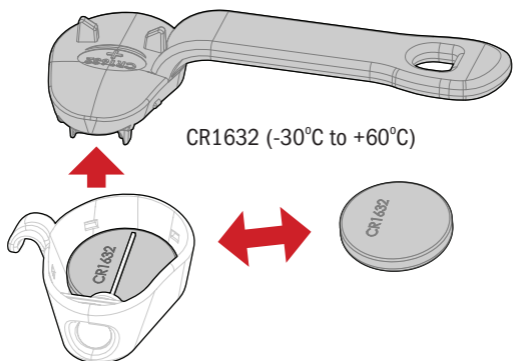
www.defa.com



460964



IP44



CR1632 (-30°C to +60°C)



C&F 1900190 708089 E02 - CE 260418