

Table of Contents

Safety information	4
Main parts	6
Installation planning	7
Installation	8
Testing and verification	15
Hand-over	16
Technical specification	17
Contact information	18

Safety information

Important! Read this document before installing the device. Failure to follow any of the instructions or warnings can result in material damage or personal injury.

Important! The charging station must be installed, uninstalled or repaired by a licensed electrician and the installation must be executed in accordance with national and local regulations.

Important! Make sure there is no power in the cable during the installation of the device.

Important! Disregard of, or actions contrary to the safety information and instructions contained in the comprehensive manuals and printed on the device, may lead to electric shock, fire and/or severe injury.

Special notes



DANGER Sections marked with this symbol draw attention to electrical voltages that represent a danger to life and limb. Actions contrary to these safety notices may lead to severe or fatal injury. Actions contrary to these safety notices must not be carried out under any circumstances.



WARNING Sections marked with this symbol draw attention to additional hazards that may lead to damage to the cable itself or to other electrical devices. Actions marked with this symbol must be carried out with special care.



NOTICE Sections marked with this symbol draw attention to additional important information and special features that are necessary for the reliable operation of the device. Actions marked with this symbol should be carried out as required.

Danger



Do not install if the outer shell has been damaged.



Do not install if the charging cable is defective or appears cracked, broken or otherwise damaged.



Do not carry out physical repairs on the charging station.

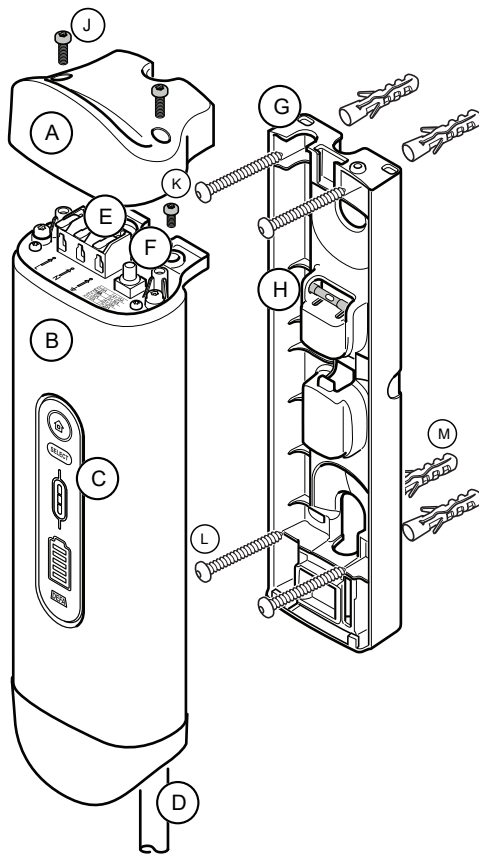
Main parts

Charging station

- A. End cap
- B. Charging unit
- C. Display
- D. Charging cable
- E. Terminal block
- F. Rotary switch
- G. Wall bracket
- H. Spirit level

Included

- J. 2 x end cap screws
- K. 1 x fixing screw
- L. 4 x wall screws
- M. 4 x wall plugs
- Torx bit TX15



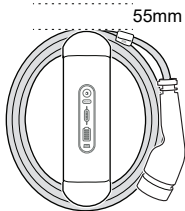
Installation planning

Requirements for the cable

- Maximum size for the installation cable is 4 mm².
- If a new cable is to be installed, apply only cable dimensions suitable for the entire circuit, including the fuse.
- Note the maximum current (A) for the entire circuit. Consider possible additional electrical devices connected to the same fuse, for later current settings in the charging station.

Requirements for the installation site

- Do not install the charging station in a spot where the maximum operating temperature is exceeded. See chapter **Technical specification** for maximum temperature.
- Ideally, the installation site should be covered.
- The installation site must not be in an area subject to flooding, close to water, or in areas used to store objects, or containers containing liquids.
- The installation site must not be in explosive atmosphere areas.
- The installation site must offer sufficient air circulation.
- Make sure there is 55 mm of free space above the bracket so the charging unit can slide easily on and there is space for the top cover.



Tools needed

- Installation tools for correct wiring, including stripping tool.
- Cross recessed screwdriver for wall bracket screws.
- Torx tool size Tx 15 with space for safety pin.

Installation

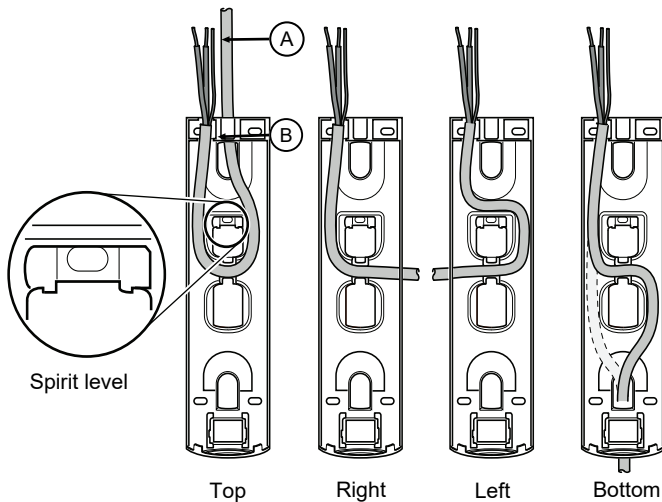


DANGER Make sure there is no power in the cable during the installation.

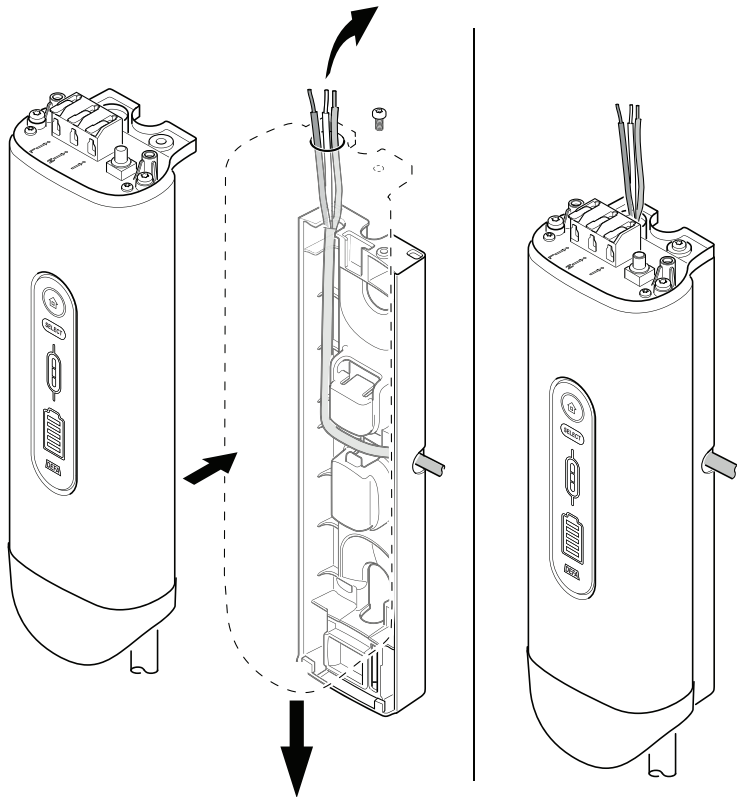


WARNING If the charger or charging cable is damaged, the installation should immediately be discontinued or, if the charger is already installed, it should be taken out of operation. No additional use of the charger is permitted in this case.

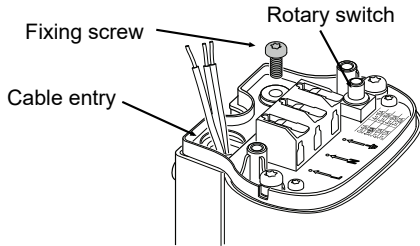
1. Turn the power/fuse off.
2. Check that all parts and tools required for the installation are available.
3. Guide and fix the installation cable to the spot where the charging station will be installed.
 - If necessary, find and reveal the cable inlet in the wall bracket. The cable can be inserted from the top, left, right, or bottom. Make sure that the cable is long enough. See image in step 6 below for details.
4. Place the wall bracket with a clearance of 55 mm to any obstacles above the installation area.
5. Attach the wall bracket. Use the built-in spirit level to ensure that the wall bracket is installed at a level angle. Use the four screws delivered with the product. The holes are made for screws with $\varnothing 4.2$ mm.
6. Remove the jacket (from A to B) with a length of 140 mm. Strip all single wires with 9-11 mm.



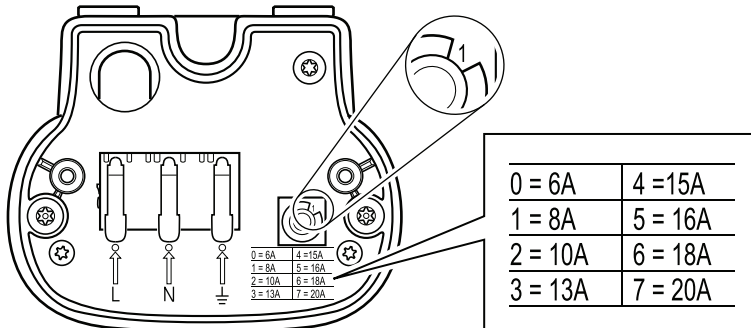
7. Place the cable in the groove that points the conductor toward the hole in the upper left corner.
8. Slide the charging unit from the top, so that all the conductors fit into the cable entry in the inner end piece. Make sure that the grooves at the top and bottom are firmly in place.



9. Attach the fixing screw to secure the charging unit to the wall bracket.



10. Set the maximum current rating for the charging station by turning the rotary switch to the correct position. Follow the table next to the rotary switch on the charging unit or in the image below.

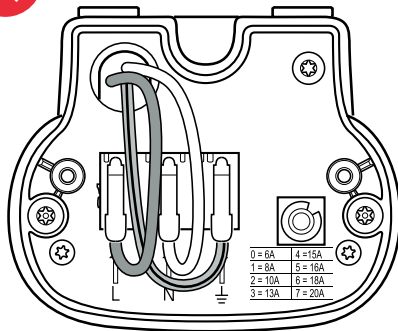
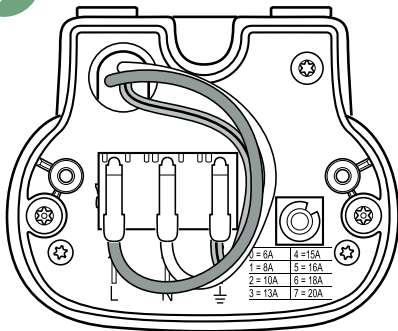


11. Insert the conductors L, N and PE (earth) into the terminal block (see image below), and check that they are all firmly attached.

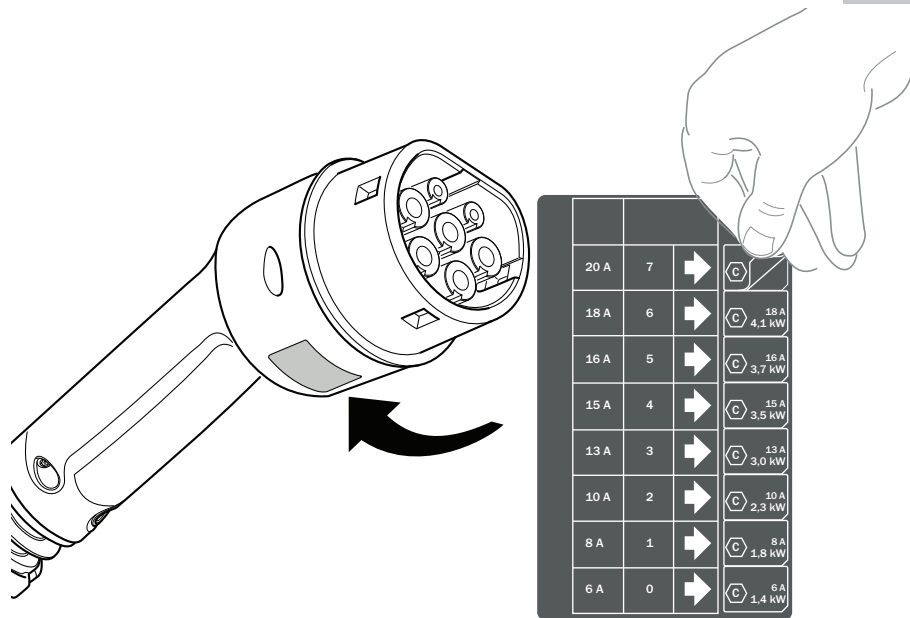


NOTICE If the PE conductor is not isolated, add an insulation tube or electrical tape in the exposed area.

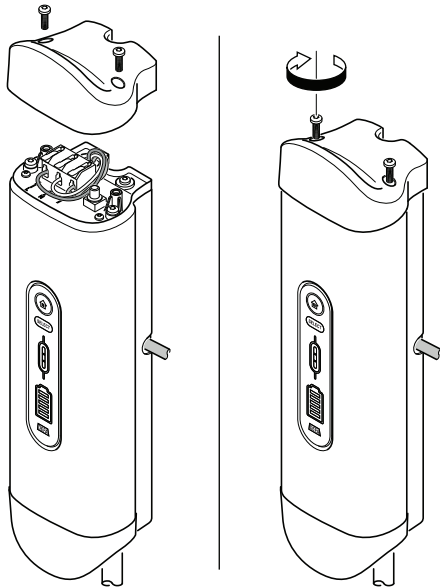
12. Place the cable in the position shown in the image below.



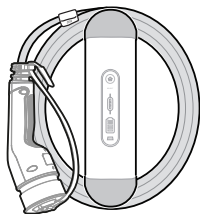
13. Note the settings from the rotary switch by marking the cell with an X below the relevant fields in the table found in the user manual, see chapter **Set the required charging level**.
14. Attach a sticker with the set rating - max charging power - on the underside of the vehicle plug (over the existing rating label).



15. Attach outer end cap with two screws on top of the charging unit to close the installation area.



16. Coil charging cable around the charging unit.



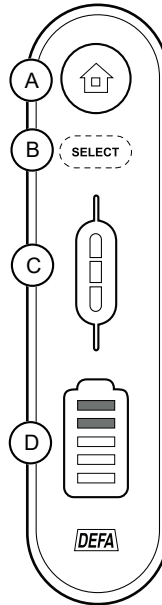
17. Turn the power/fuse on.

Testing and verification

Make sure the charging station is ready to use by checking which signals are displayed on the display before, during, and after charging the vehicle. See chapter **Charge the vehicle** in the user manual.

Display view

- A. Power Input Indication
- B. Select Button
- C. Charger Status Indication
- D. Vehicle Connection Indication





Hand-over

Follow these instructions before handing over the device to the user:

- Show which rating the installation has.
- Demonstrate how to use the device.
- Inform how to find further information about their device
- Inform what to do if they experience issues with their device.
- Hand over the user manual.

Technical specification

Item number	712800	
Rated voltage	230 VAC (1-phase, 50-60Hz)	
Rated current	6A - 20A	
Charger type	Mode 3	
Connection to vehicle	Type 2	
RCD	30 mA AC & 6mA DC	
GRID type	TN- and IT-power grid	
Overheat protection	Internal sensor	
Operating temperature	-40 °C to +50 °C	
Storage temperature	-50 °C to +85 °C	
Size (L x W x T)	312 x 85 x 70 mm	
Material charging unit	Aluminum	
IK rating	IK 10	
IP rating	IP 45	
Weight	2.3 kg	
Certification	CE, IEC61851, IEC62955	
Recycling	EE-waste	

Contact information

If you have any questions, contact your local vendor, visit defa.com or call DEFA support:

- Phone (Norway/International): +47 32 06 77 00
- Phone (Sweden/International): +46 10 498 38 00
- Phone (Finland): +358 (0)20 152 72 00

If you have any feedback on how the system or support can be improved, feel free to give us your input at connect@defa.com

