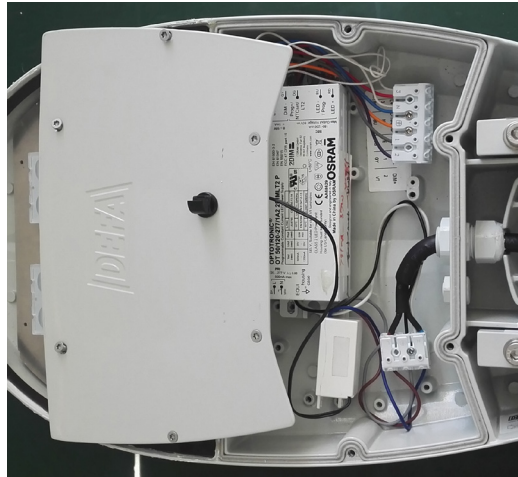


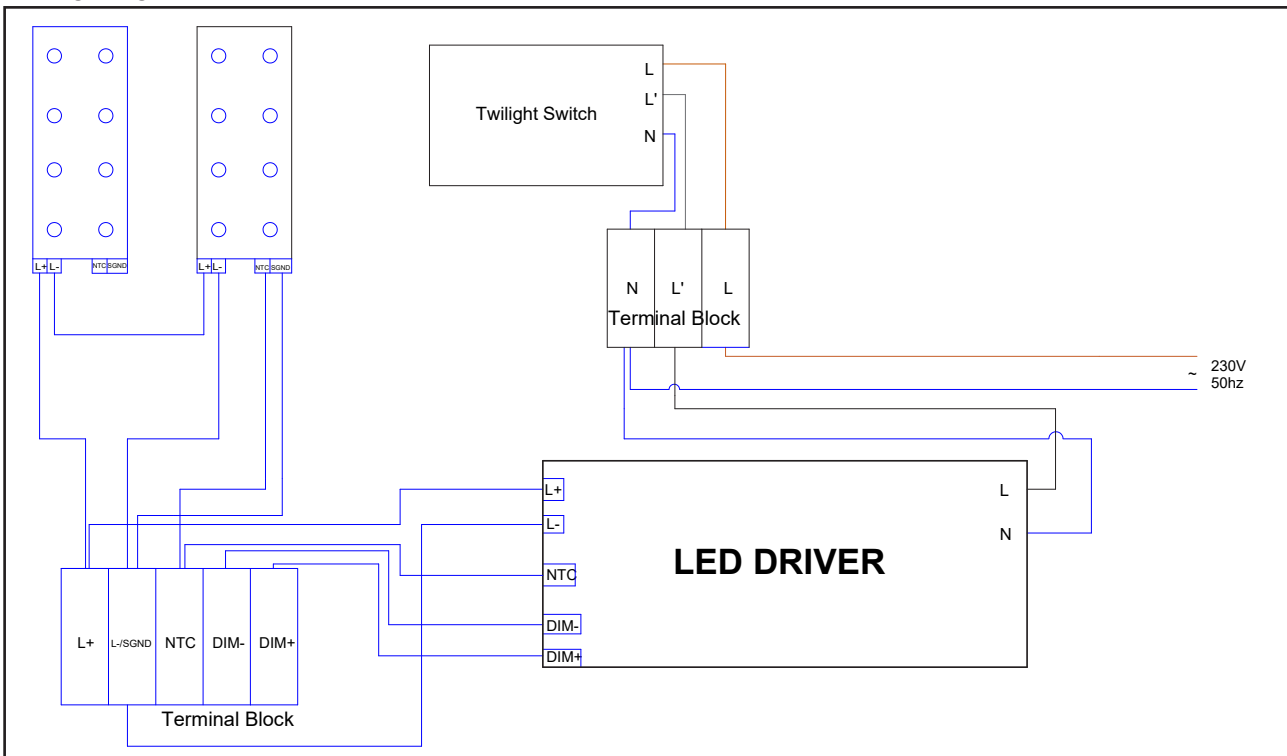
Mounting instruction for Elite Small Photocell kit

120629 Photo cell kit Elite Small



1. Replace existing 2-pole terminal block with 3-pole.
2. Connect according to wiring diagram and fix photocell to the screw of the driver.

Wiring diagram



Fitting assembled

